



Township Of Harrison

114 Bridgeton Pike
Mullica Hill, NJ 08062
(856) 478-4111



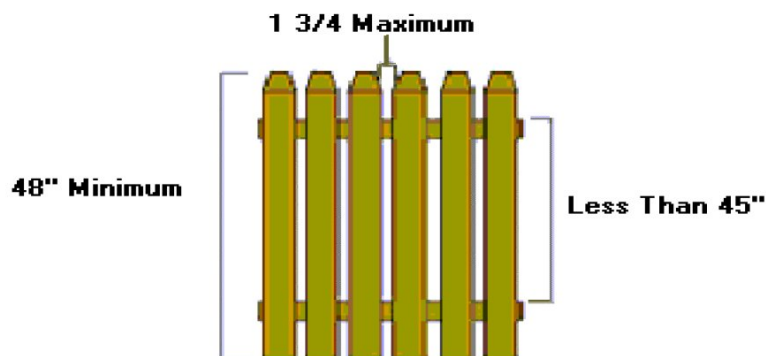
Pool Fence Requirements

Private swimming pools must be surrounded by a barrier, such as a fence or wall. The barrier must meet the following requirements.

- The top of the barrier shall be at least 48 inches above finished ground level measured on the side of the barrier, which faces away from the swimming pool. The maximum vertical clearance between finished ground level and the bottom of the barrier shall be 2 inches measured on the side of the barrier, which faces away from the swimming pool.
- Solid barriers shall not contain indentations or protrusions except for normal construction tolerances and tooled masonry joints.

Fences with horizontal rails less than 45" apart

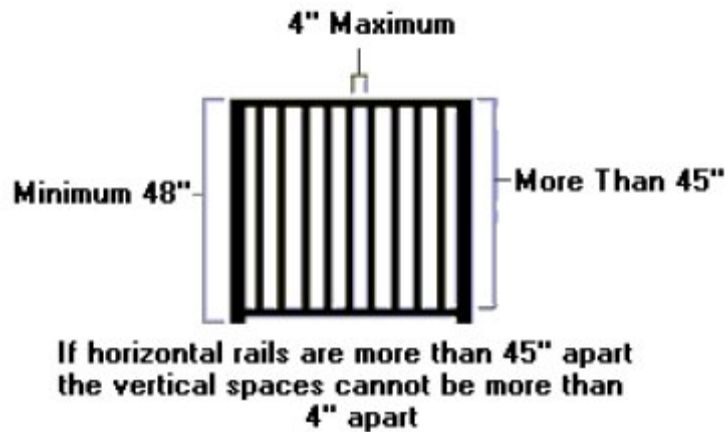
Where the barrier is composed of horizontal and vertical members and the distance between the tops of the horizontal members is less than 45 inches, the horizontal members shall be located on the swimming pool side of the fence. Spacing between vertical members shall not exceed 1-³/₄ inches in width. Decorative cutouts shall not exceed 1-³/₄ inches in width.



If horizontal planks are less than 45" apart the vertical spacing can not be more than 1 3/4"

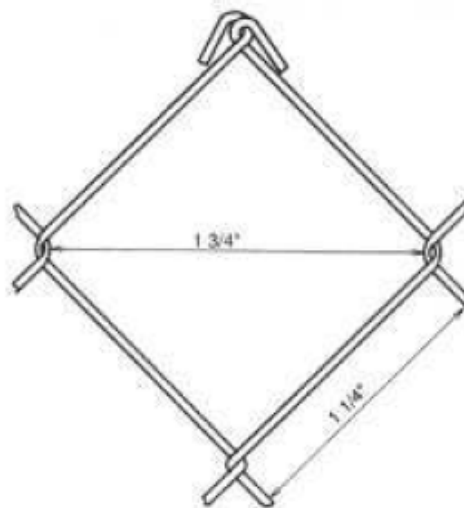
Fences with horizontal rails more than 45"aparts

Where the barrier is composed of horizontal and vertical members and the distance between the tops of the horizontal members is 45 inches or more, spacing between vertical members shall not exceed 4 inches. Decorative cutouts shall not exceed 1- $\frac{3}{4}$ inches in width.



Chain link Fence Mesh Size Limit

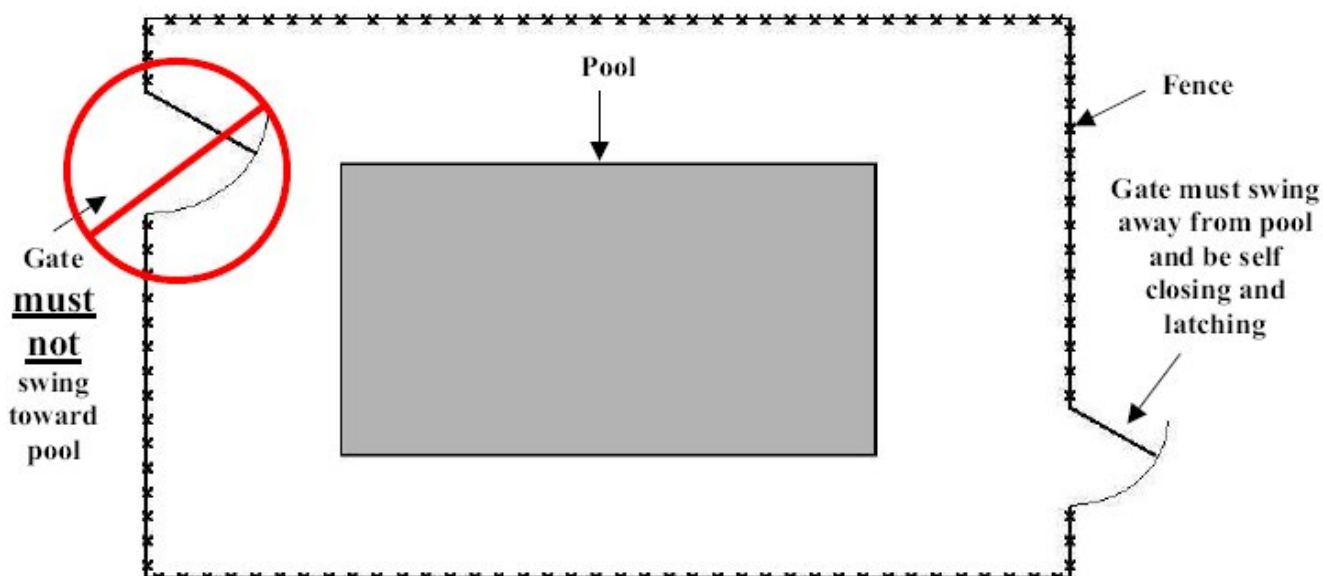
Maximum mesh size for chain link fences shall be a 1 $\frac{1}{4}$ -inch square unless the fence is provided with slats fastened at the top or the bottom which reduce the openings to not more than 1 $\frac{3}{4}$ -inches. (Figure 3)



Important: The maximum mesh size for a pool fence is smaller than the standard chain link mesh

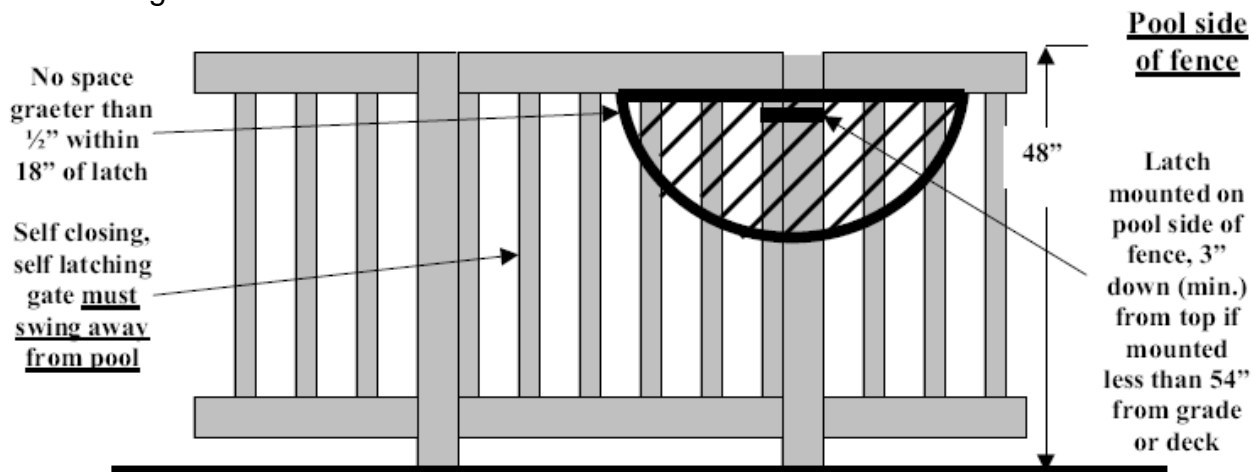
Gate Swing

Gates shall comply with the requirements of a fence for height, picket spacing or chain link mess size and shall be equipped to accommodate a locking device. Pedestrian access gates shall open outwards away from the pool and shall be self-closing and have a self-latching device. Gates must swing out only so that even if the gate is not completely latched, a young child pushing on the gate in order to enter the pool area will at least close the gate and may actually engage the latch.



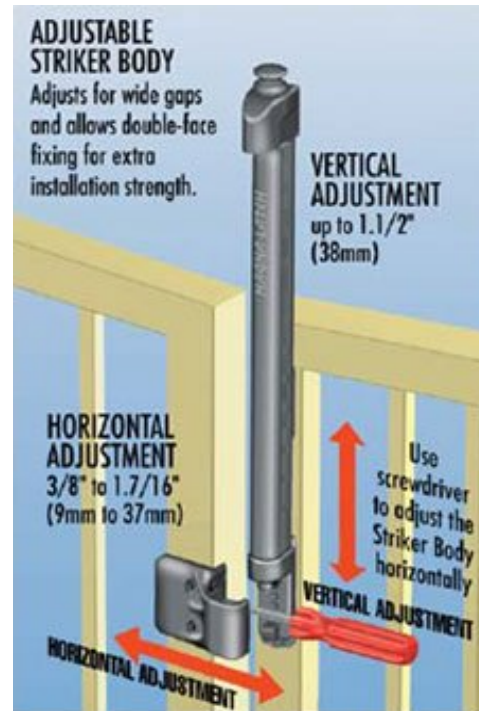
48" high gates with latches mounted less than 54" from the ground

If the latch is mounted less than 54" from grade, it must be mounted on the pool side of the gate, a minimum of 3" down from the top of the gate so you must reach over the fence to unlatch and have no space greater than $\frac{1}{2}$ " within 18" of the latch so a child can not reach through the fence to unlatch it.



48" high gates with the latch mounted above the top of the gate.

Several manufactures make latches that can be mounted on a 48" high gate and have the operating mechanism above the top of the gate. The operating mechanism must be mounted at least 54" above the bottom of the gate.



Gates more than 48" high

Gates that are more than 48" high must have the latch mounted at least 54" above the bottom of the gate.



Above ground pools

Barrier are required for above ground pools, **a removable ladder is not an acceptable barrier** for an above ground pool. The barrier may be a compliant fence that surrounds the entire pool or yard. Pools that have a wall that is at least 48" do not require a fence around the entire pool and may have a fence just around the ladder area or a ladder with a built in self closing latching gate.

Above ground pools with walls at least 48" above grade



Ladder with built-in gate



Fence around ladder area

Above ground pools on sloped site

Where the walls of an above-ground pool are used as the barrier, are on a sloped site, which will make a portion of the top of the pool structure to be less than 48" to grade, a minimum of 3-foot level surface around the portion of the pool structure that is less than 48" to grade should be provided. The level surface should be measured away from the pool wall to the excavation edge and should be tapered away from the pool at a minimum of 45- degree angle for a distance of one half the level surface.

Above ground pools on sloped site where the pool wall is used as the barrier

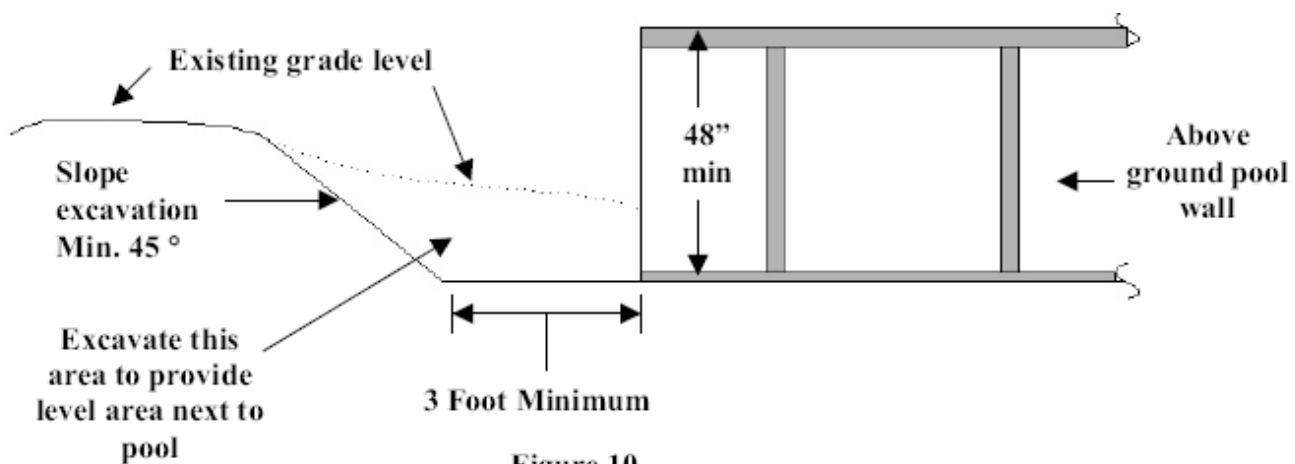


Figure 10